

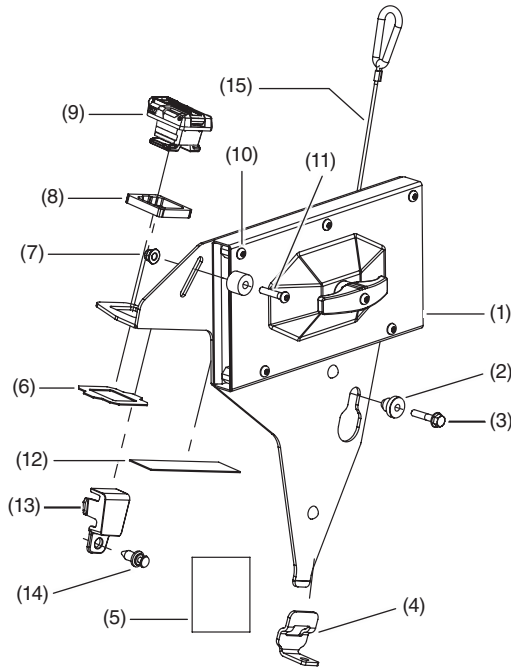


# INSTALLATION INSTRUCTIONS

Accessory	Application	Publication No.
CHAINSAW HOLDER P/N 0SC13-HL5-A00	SXS520	MII 17623
		Issue Date November 2021

Honda Dealer: Please give a copy of these instructions to your customer.

## PARTS LIST



No.	Description	Qty
(1)	Chainsaw Holder	1
(2)	Sleeve	1
(3)	10 x 30 mm Hex Flange Bolt	1
(4)	Bed Bracket	1
(5)	Installation Instructions URL	1
(6)	Circlip	2
(7)	Hex Flange Nylon Nut	1
(8)	Rubber Spacer	2
(9)	Pro-Connect™ Latch	2
(10)	Guide	1
(11)	5 x 30 mm Button Head Bolt	1
(12)	Self-Adhesive Rubber Strip	1
(13)	Pro-Connect™ Limiter	1
(14)	Push Pin	1
(15)	Security Cable	1

## TOOLS REQUIRED

Socket (10 mm)	Ratchet
Allen wrench (5 mm)	Torque wrench
5/16 Drill bit	Drill

## TORQUE CHART

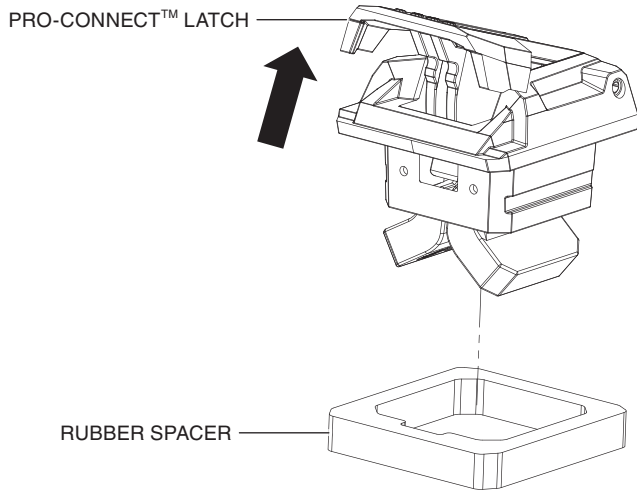
Item	N·m	Kfg.m	lbf.ft
5 x 30mm Button Head Bolt	10	1.0	7.3
10 x 30mm Hex Flange Bolt	14	1.4	10.3
Bed bracket bolt	12	1.2	8.9

### NOTE:

- **Maximum weight capacity for the chainsaw holder: 15 lbs. Bar length limit: 20 inches.**
- **Do not exceed the rated load or length capacity of the chainsaw holder.**
- **Always secure the chainsaw with the security cable on the holder before SxS is in motion.**
- **Always check that the chainsaw holder is stable and properly fixed on SXS bed before use.**
- **Make sure chainsaw is properly secured on the chainsaw holder before SXS is in motion.**
- **Do not install the chainsaw in the holder while the chainsaw engine is running.**
- **Never use for any purpose other than intended use.**
- **Please read and follow all instructions and warnings supplied with the chainsaw holder.**

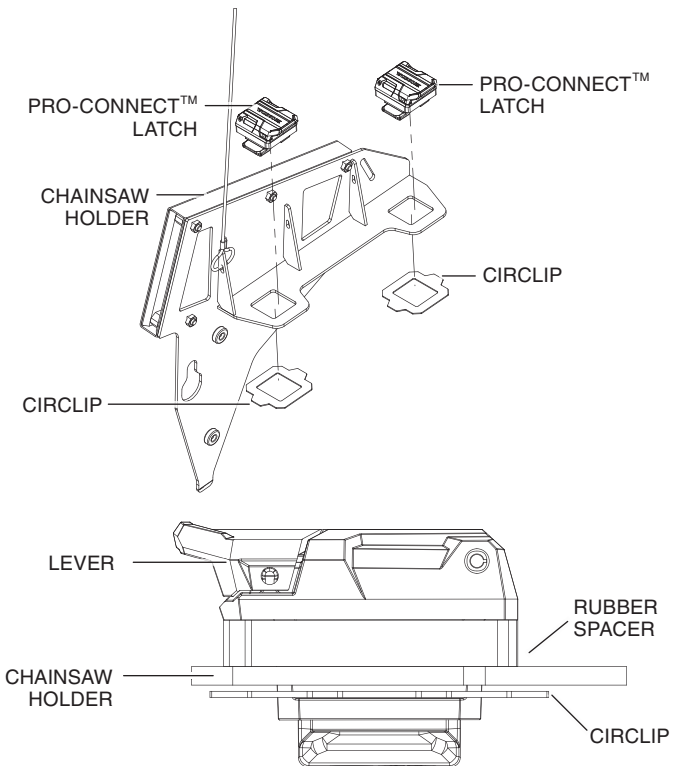
## INSTALLATION

1. Lift the lever on each Pro-Connect™ latch to unlock them and install the Rubber Spacer.



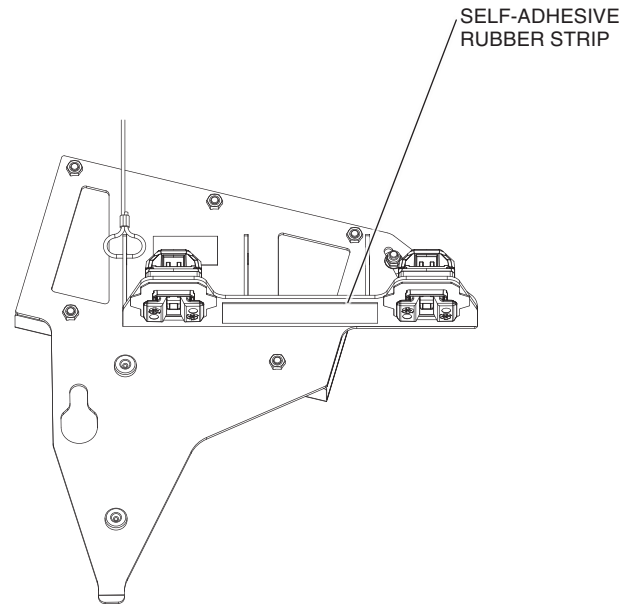
2. Insert the Pro-Connect™ latches assembled with the rubber spacers in the chainsaw holder installation square holes and secure them by using the Circlips.
 

NOTE: Pay attention to the assembly direction of the Pro-Connect™ latches to ensure proper fitment. They must be installed as shown on the picture below.

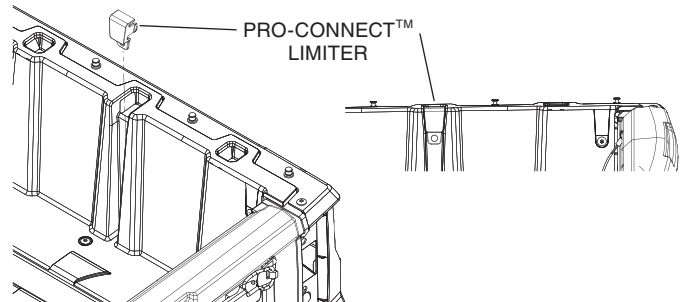


3. Remove the film from the self-adhesive rubber strip and stick it to the chainsaw holder in the position shown below.

NOTE: Clean the mating surface of the chainsaw holder with alcohol before installing the rubber strip.

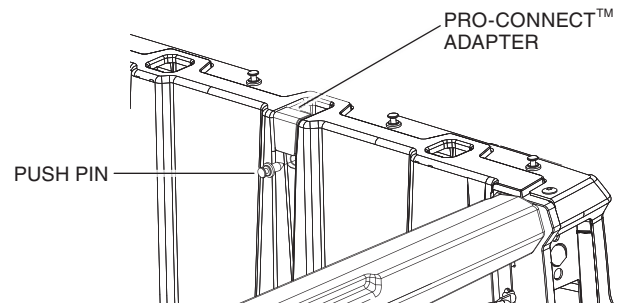


4. Install the Pro-Connect™ limiter on the bed. Mark the center location of the hole in the limiter. Remove the part.

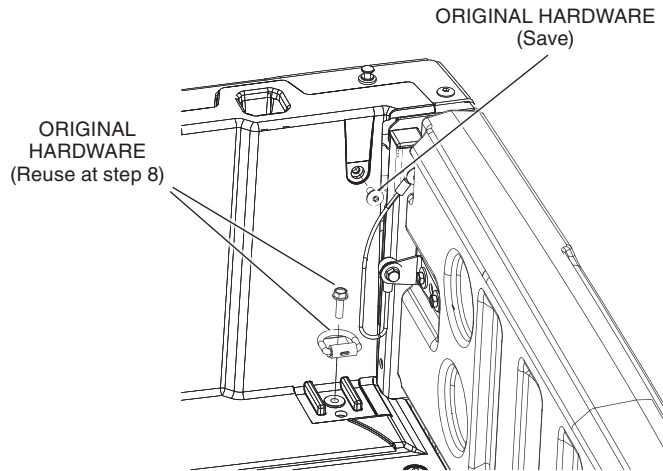


5. With the drill bit 5/16, drill a hole in the bed.

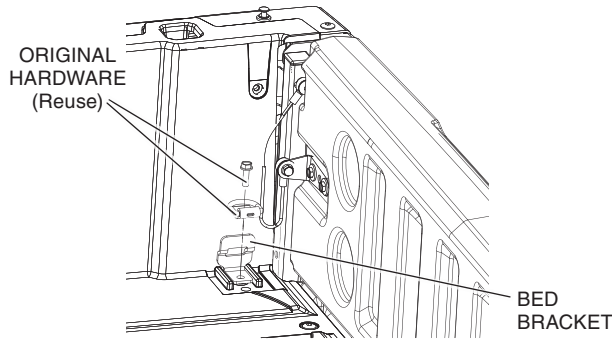
6. Install the Pro-Connect™ Limiter and the Push Pin on the bed.



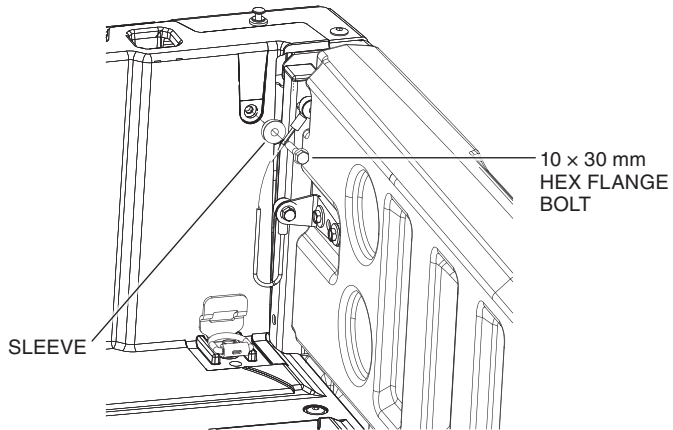
- Remove original hardware from the bed passenger side rear corner.



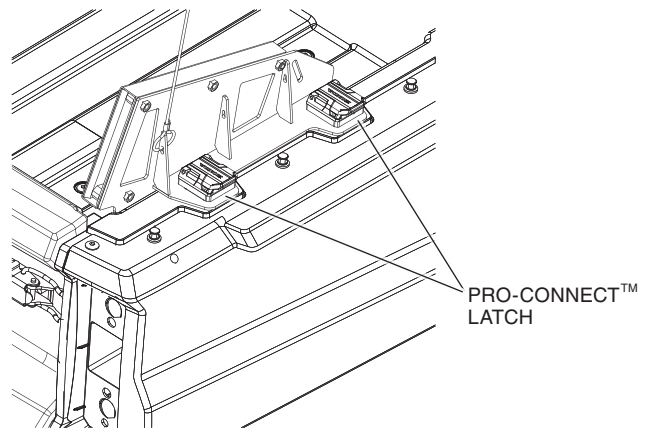
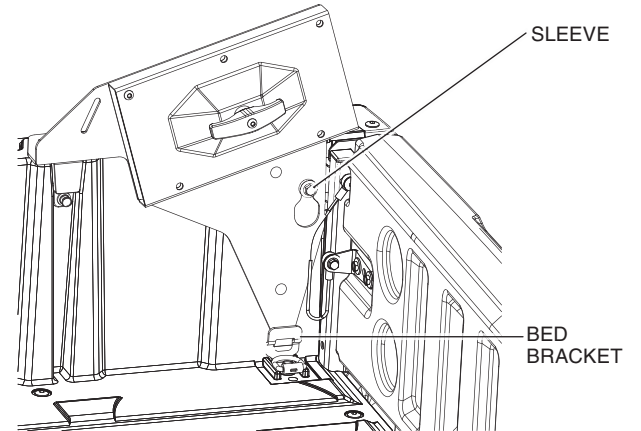
- Install the Bed Bracket on the bed reusing the original hardware in step 7 (hand tight only).



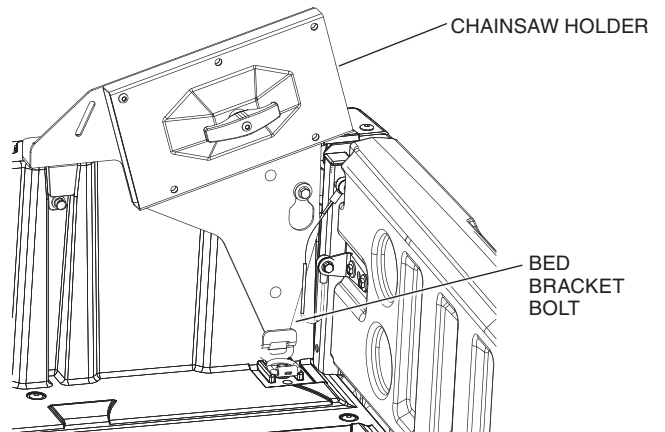
- Install the sleeve on the bed using the 10 × 30 mm hex flange bolt (see TORQUE CHART)



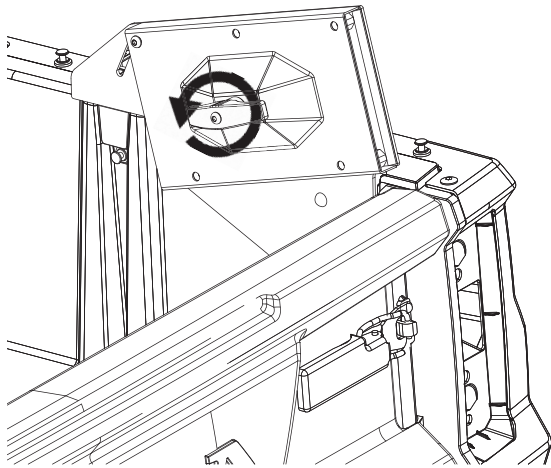
- Make sure the levers of the Pro-Connect™ latches are open then place the chainsaw holder onto the Vehicle Bed by installing each Pro-Connect™ latch into its corresponding bed installation hole. Make sure the chainsaw holder is well aligned with the sleeve and the bed bracket. Lock the chainsaw holder in place by pressing down the two Pro-Connect™ latch levers.



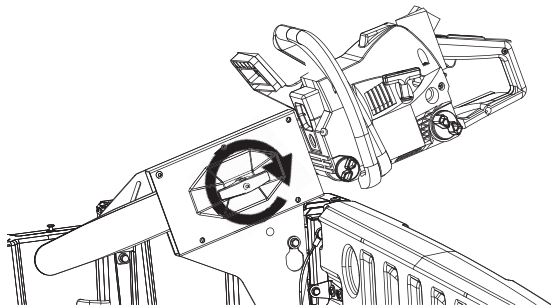
- Push the bed bracket against the chainsaw holder. Tighten the Bed Bracket bolt (see TORQUE CHART)



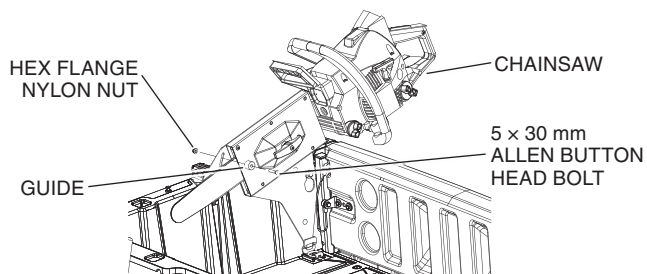
12. Unscrew the handle of the chainsaw holder.  
NOTE: Be sure the handle is fully unscrewed to prevent premature wear



13. Place the chainsaw in the chainsaw holder. Hold the chainsaw parallel to the chainsaw holder then screw in the handle of the chainsaw holder to hold the chainsaw in place.



14. Adjust the chainsaw guide along the slot to make sure the chainsaw is firmly in place using M6 x 30 mm allen button head bolt and M6 hex flange nylon nut (see TORQUE CHART)



15. Secure the chainsaw with the security cable installed on the holder.